

# FLINTSTONES QUARRY



# QUEST



**6 Player Skill Ticket  
Redemption Game**

**Patented Player Activated  
Marble Delivery System**

**Unique Player  
Controlled Features**

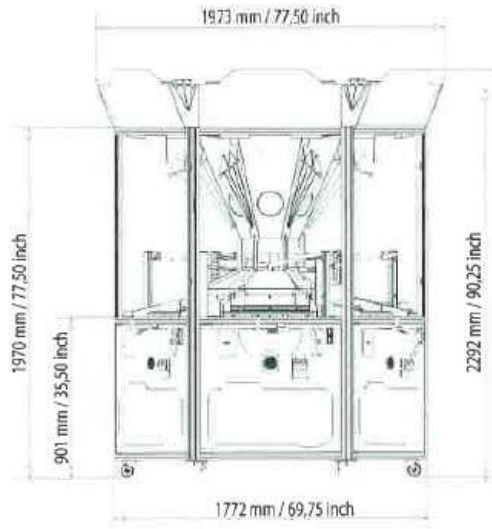
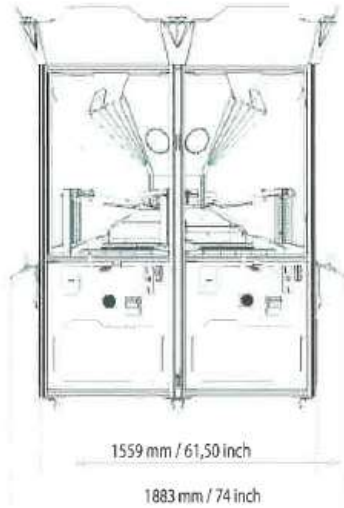
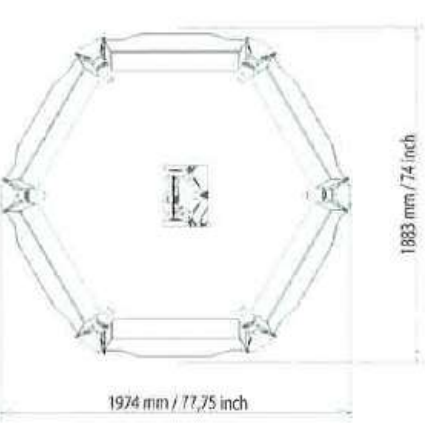
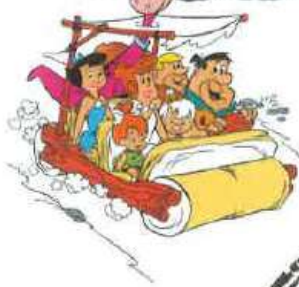
**Elaut 'EMOS' RFID Tablet  
Management System**

**Fully Adjustable  
LED Lighting**

**Card System Ready**



# FLINTSTONES QUARRY QUEST



**ELAUT USA, INC.**

ELAUT reserves the right to alter specifications without prior notice. Certain features of the depicted products are protected by patent and/or design rights in several countries. The named trademarks are owned by ELAUT NV, and registered in one or more countries. The IP rights concerned can be consulted on [www.elaut.com/ip](http://www.elaut.com/ip)