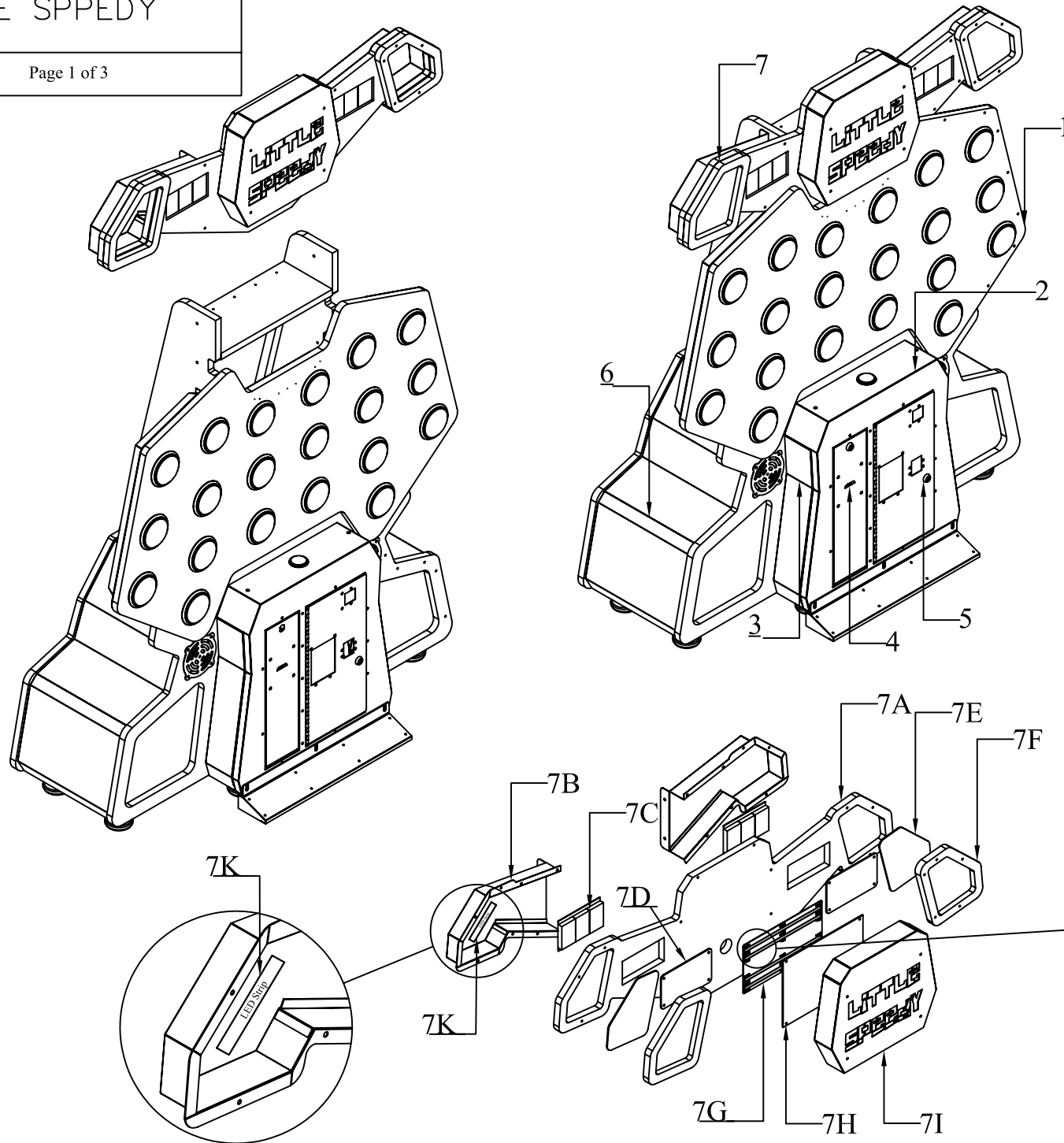
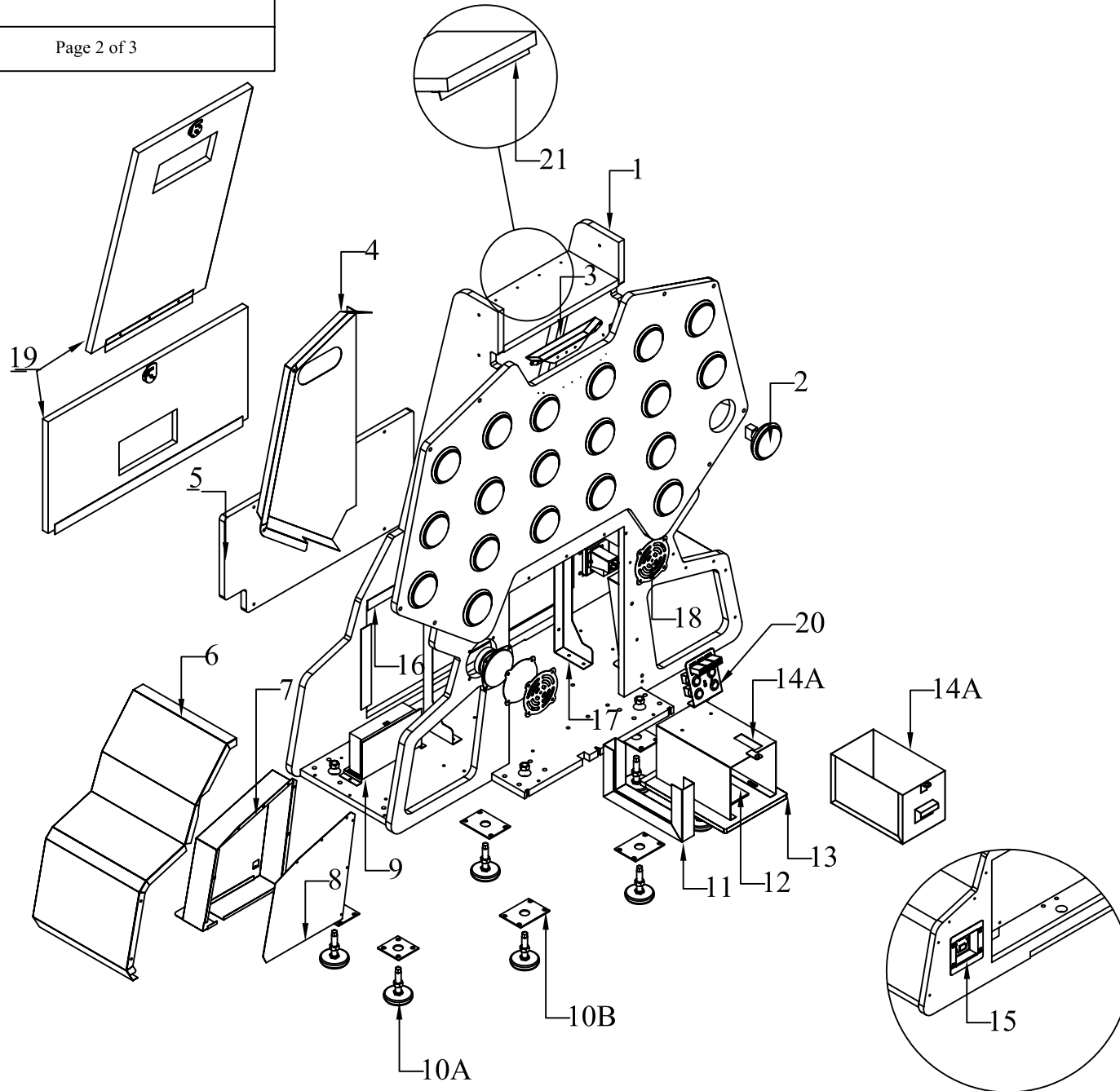


LITTLE SPEDDY

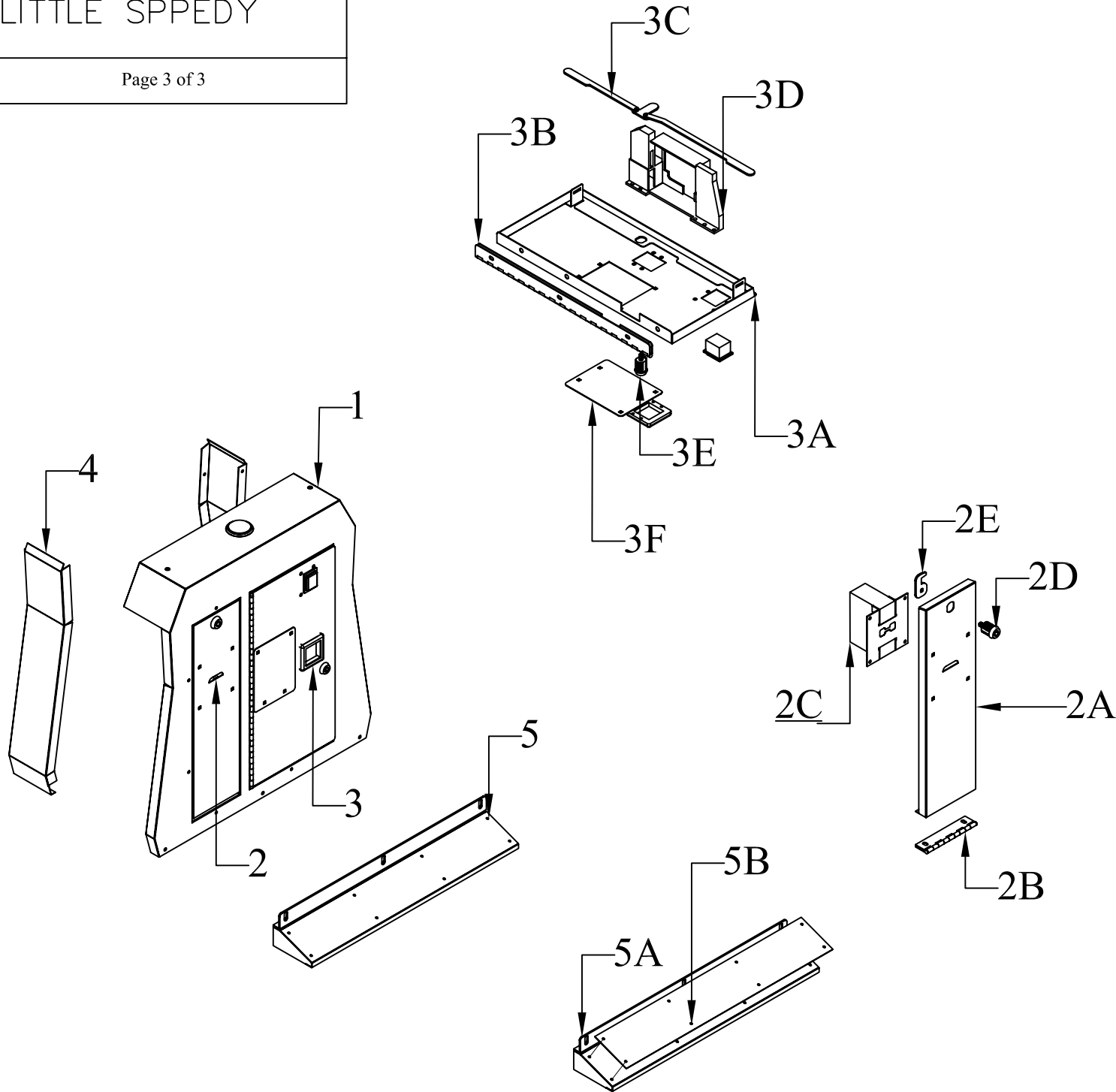
Page 1 of 3



No	No. Part	Description	Qty	
1	LS1-ASSY-02-R0	Assy Main Cabinet	1 Pc	
2	LS1-SA-01-R0	Front Cabinet SA	20 Pcs	
3	LS1-FM-02-R0	Bracket Continues	1 Pc	
4	LS1-ASSY-03-R0	Ticker Door Assy	1L/1R	
5	LS1-ASSY-04-R0	Coin Door Assy	1 Pc	
6	LS1-FM-03-R1	Side Main Cabinet	1L/1R	
7	7A	LS1-FW-11-R1	Header Base	1 Pc
	7B	LS1-FW-21-R0	Cover Display	1 Pc
	7C	BAFB74	Seven Segment 2" (display Score/Timer)	2 pcs
	7D	LS1-FP-08-R1	Cover Display Front	1L/1R
	7E	LS1-FP-12-R0	Acrylic Side Header	1L/1R
	7F	LS1-FW-10-R0	Side Header	1L/1R
	7G	LS1-FM-08-R0	Bracket LED Header	1 Pc
	7H	LS1-FP-14-R3	Acrylic Header	1 Pc
	7I	LS1-FM-19-R3	Housing Header	1 Pc
	7J	EA0593	LED Strip	
	7K	-	LED Strip	



No	No. Part	Description	Qty	
1	LS1-ASSY-02-R0	Assy Main Cabinet	1 Pc	
2	EA0584A	Button Ø88 Blue	20 Pcs	
3	LS1-FM-23-R0	Stopper heder	1 Pc	
4	LS1-FM-04-R1	Back Cover Side	1L/1R	
5	5A	LS1-FW-07-R1	Base PCB	1 Pc
	5B	BAFB66A	PCB	1 Pc
	5C	BAFB152	PCB	1 Pc
	5D	BAFB106	PCB	1 Pc
	5E	BAFB162	PCB	1 Pc
6	LS1-FM-03-R1	Side Main Cabinet	1L/1R	
7	7A	LS1-FM-22-R0	Reflektor Side Cabinet	1L/1R
	7B	EA0597	LED Strip	
8	LS1-FP-13-R0	Acrylic Side Cabinet	1L/1R	
9	9A	EA1003	Power Supply	1 Pc
	9B	LS1-FM-10-R0	Bracket Power Supply	1 Pc
10	10A	HM0242	Mounting Nylon	7 Pcs
	10B	LS1-FM-07-R0	Base Mounting (Part A&B)	5A/2B
11	LS1-FM-25-R0	Ticket Holder	1 Pc	
12	LS1-FP-16-R0	Spacer Base Cashbox	1 Pc	
13	LS1-FW-15-R0	Spacer Cashbox	1 Pc	
14	14A	LS1-SA-12-R0	Housing Cash Box SA	1 Pc
	14B	LS1-SA-06-R0	Cash Box SA	1 Pc
15	15A	LS1-FM-15-R0	DB Box Front	1 Pc
	15B	EA0649	Emy Filter	1 Pc
	15C	EA1356	Bending Post	1 Pc
	15D	LS1-FM-16-R0	DB Box Housing	1 Pc
16	LS1-FM-26-R0	Stopper Back Cover Down (Part-A&B)	1A/2B	
17	LS1-FM-09-R0	Bracket PCB	1L/1R	
18	18A	LS1-FM-17-R0	Cover Speaker	2 Pcs
	18B	LS1-FM-31-R0	Parvoretet speaker	2 Pcs
	18C	EA1201	Speaker	2 Pcs
19	19A	LS1-FW-05-R0	Back Cover (Part-A&B)	1 Pc
	19B	LS1-FM-28-R0	Stopper Door (Part-B&C)	1B/1C
	19C	HM0004	Lock Angel	1 Pc
	19D	LS1-FM-27-R0	Parvoretet Vent	2 pcs
20	20A	LS1-FM-11-R0	Bracket Service	2 pcs
	20B	EA0519 & EA0520	Button 2 colours (Red&Green)	2 pcs
	20C	EA1252A	Coin Counter	2 pcs
	20D	EP0602 & EF0688	Volume Potensio	2 pcs
21	LS1-FM-28-R0	Stopper Door (Part-A)	1 pc	



No	No. Part	Description	Qty	
1	1A	LS1-SA-01-R0	Front Cabinet SA	1 Pc
	1B	EA0547A	Button Ø60 RED	1 Pc
	1C	BA2601	Seven Segment 1" (Display Credit)	1 Pc
	1D	LS1-FP-09-R0	Acrylic Intruction	1 Pc
2	2A	LS1-FM-24-R0	Ticket Door	1 Pc
	2B	LS1-FM-20-R0	Ticket Door Hinge (Part-2)	1 Pc
	2C	EA1103	Ticket Dispenser	1 Pc
	2D	HM0004	Lock Angel	1 Pc
	2E	LS1-FM-13-R0	Lock Cam (Part-4)	1 Pc
3	3A	LS1-FM-05-R0	Coin Door	1 Pc
	3B	LS1-FM-20-R0	Coin Door Hinge (Part-1)	1 Pc
	3C	LS1-FM-13-R0	Lock Cam (Part-1,2,3)	1A/1B/1C
	3D	HA0014A	Coin Mechanism	1 Pc
	3E	HM0004	Lock Angel	1 Pc
	3F	LS1-FM-18-R0	DBA Cover	1 Pc
4	LS1-FM-02-R0	Bracket Continues	1 Pc	
5	5A	LS1-FM-30-R0	Kick Plate	1 Pc
	5B	LS1-FM-14-R0	Cover Kick Plate	1 Pc