



Customizing Family Fun



SKU#: BG-FSBPRO

Kenti Pro Foosball

Instruction Manual

Assembly, Operation, and Care Instructions

Serial #: _____

Distributed By: _____

Sales Person: _____

Technical Service #: **+1-716-866-0054** _____

Inspect Immediately after Transporting the Product

After receiving the shipment, inspect the product thoroughly to ensure that it has been shipped with care. Before assembling, please check the following:

- Check the cabinet for damage. Are there any dented portions or defects (cuts, etc.) on the external surfaces of the cabinet?
- Are all the legs and adjusters/levelers/feet intact (often shipped inside the table with other accessories)?
- Have you been provided with all of the associated accessories?

Tip: The pieces required to assemble the table are shipped underneath the cabinet and should be visible when you open the box containing the table.

- When opening the shipment, take care that any accessory pieces have not shifted during transit. **Open the box with caution.**



Safety Instructions

- To maintain personal safety and the safe operation of this product, read the entire manual before using it. The following instructions are intended for the users, operators, and the personnel in charge of the operation of the machine.
- **Be sure to keep this manual close to the product or in a convenient place for future reference.**
- This product is intended for indoor use only
- This is NOT a child's toy; adult supervision is required for children to play this game. Children under 120cm (roughly 4ft) in height should not approach the table while it is in use, as this could be hazardous.
- Do not sit, climb, or lean on the table. Do not place anything, including people, on the top of the playfield.
- Do not drag the table when moving it, as this could damage the legs, levelers, or cabinet beyond repair.
- Do not place any food or drinks on the table.

Definition of Site Maintenance Personnel or Other Qualified Individuals



WARNING

Servicing and maintenance work of the contents herein stated should be performed by the *SERVICEMAN* stipulated as per IEC Standard. Those who do not have technical expertise and knowledge other than the *SERVICEMAN* are not allowed to perform the work herein stated. Executing the aforementioned work by such non-technical personnel can cause serious accidents that may endanger life.

Replacing parts, maintenance inspections, and troubleshooting should be carried out by **Site Maintenance Personnel** or other **Qualified Professionals**. This manual includes directions for potentially dangerous procedures which should only be performed by professionals with appropriate and specialized knowledge.

The **Site Maintenance Personnel** or other **Qualified Professionals** mentioned in this manual are defined as follows:

- **Site Maintenance Personnel:** Individuals with experience in maintaining amusement equipment, vending machines, etc., working under the supervision of the owner and/or operator of this product. Maintenance Personnel frequently service machines within amusement facilities or similar premises by carrying out everyday procedures such as: assembly, maintenance inspections, and replacement of units or replaceable parts.
 - **Actions Approved for Site Maintenance Personnel:** Machine assembly, maintenance inspection, and replacement of units or replaceable parts.
- **Other Qualified Professionals:** Personnel employed by the amusement equipment manufacturer. Personnel may also have been involved in design, production, testing, or maintenance of said amusement equipment. This individual should have either graduated from a technical school or hold similar qualifications in electrical, electronics, or mechanical engineering.
 - **Actions Approved for Other Qualified Professionals:** Assembly, maintenance, inspection, and replacement of units or replaceable parts for amusement equipment and/or vending machines, including repair or adjustments of electrical, electronic, or mechanical parts.

Before Using This Product

In order to ensure safe operation, please be sure to read the following before using this product. The following instructions are intended for users, operators, and personnel in charge of the operation and maintenance of the machine. After carefully reading and sufficiently understanding the warning displays and cautions, please handle the table appropriately. Be sure to keep this manual for future reference.

Qualified Personnel: Only personnel who have technical expertise should perform the work stated herein to avoid hazardous situations. The instructions state that site maintenance personnel should be the only personnel performing work. Please perform maintenance work in accordance with the stated instruction; provided instructions for maintenance work are to minimize risk and prevent accidents. Failing to perform work as stated within the Instruction Manual may potentially be dangerous to both maintenance personnel and users.

- **Install and operate the product where appropriate lighting is available, allowing warning and safety labels to be read clearly.** To ensure customer safety, labels and printed instructions describing potentially hazardous situations are applied to places where risk for potential accidents are increased.

If any label is peeled off, apply it again immediately. Please contact Barron Games Technical Support at 1+716-866-0054 or email service@barrongames.com if you are in need of new stickers or parts. Visit www.BarronGames.com for more information about Barron Games' Parts and Service Department.



ASSEMBLY

Important Notes

1. Read this Instruction Manual carefully before assembling or playing.
2. Ensure that there is sufficient space to place and shift the product prior to assembly
3. **Two adults** are recommended to assemble the product.
4. Inspect and ensure all parts are securely attached before rotating the table.
5. Please Note: Children and pets should be kept away from assembly and game pieces; this table contains small parts and balls that could be a potential choking hazard.

INSTALLATION AND MAINTENANCE SAFETY

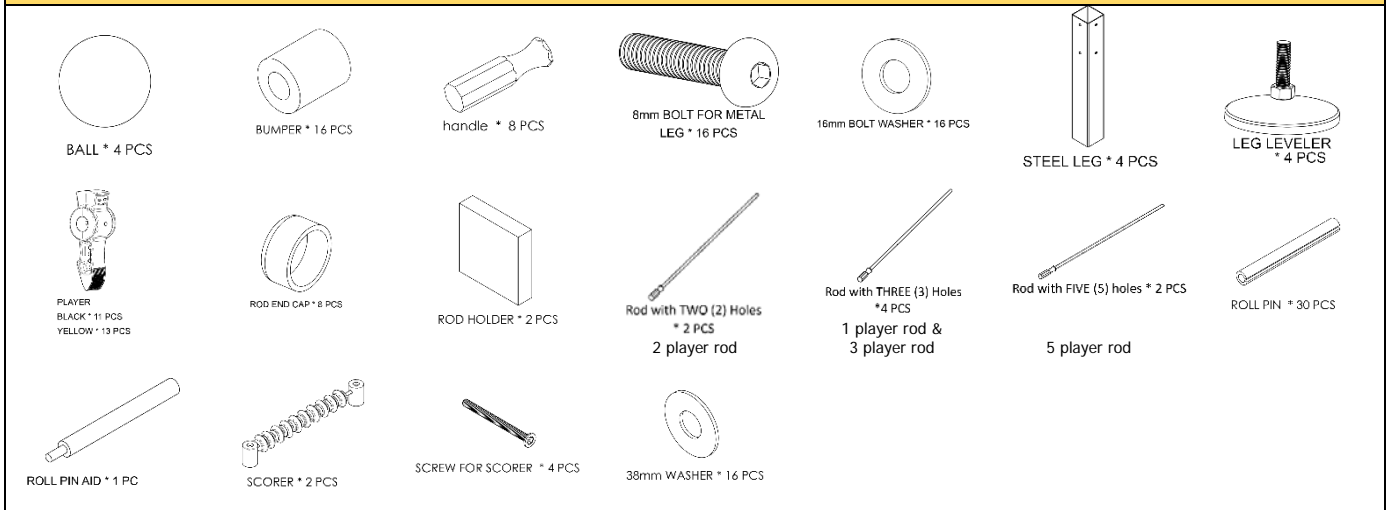
This product is an indoor game machine. **Do not install it outside.** Even indoors, avoid installing it in the places mentioned below, so as to avoid causing unit damage, game malfunction, or personal injury. Do not install or maintain this product in/on/within/near:

- places subject to rain or water leakage, places subject to high humidity, or in the proximity of an indoor swimming pool, shower, steam room, etc.
- places subject to direct sunlight, places subject to high temperatures, or in the proximity of heat dispensing units or portable heating devices.
- dusty places.
- sloped surfaces.
- places subject to any type of violent impact.
- the vicinity of anti-disaster solutions, such as fire exits and extinguishers.
- places where the operating (ambient) temperature range is not 5°C to 30°C (41°F to 86°F).
- places near water or spray from water (such as a jet wash, hot tub, or swimming pool).

To ensure maximum safety for the users and service personnel, ensure that where the product is operated has sufficient lighting to allow all safety labels to be read clearly. Operation under insufficient lighting is not advised.



PARTS INCLUDED



TOOLS NEEDED



- Instruction Manual with Step-by-Step Assembly



- Two Adults



- Double Open End Wrench (17x19mm)



- Screw Driver or Drill



- M5 Hex Wrench for Foot Bolts - Included



- Rubber Mallet

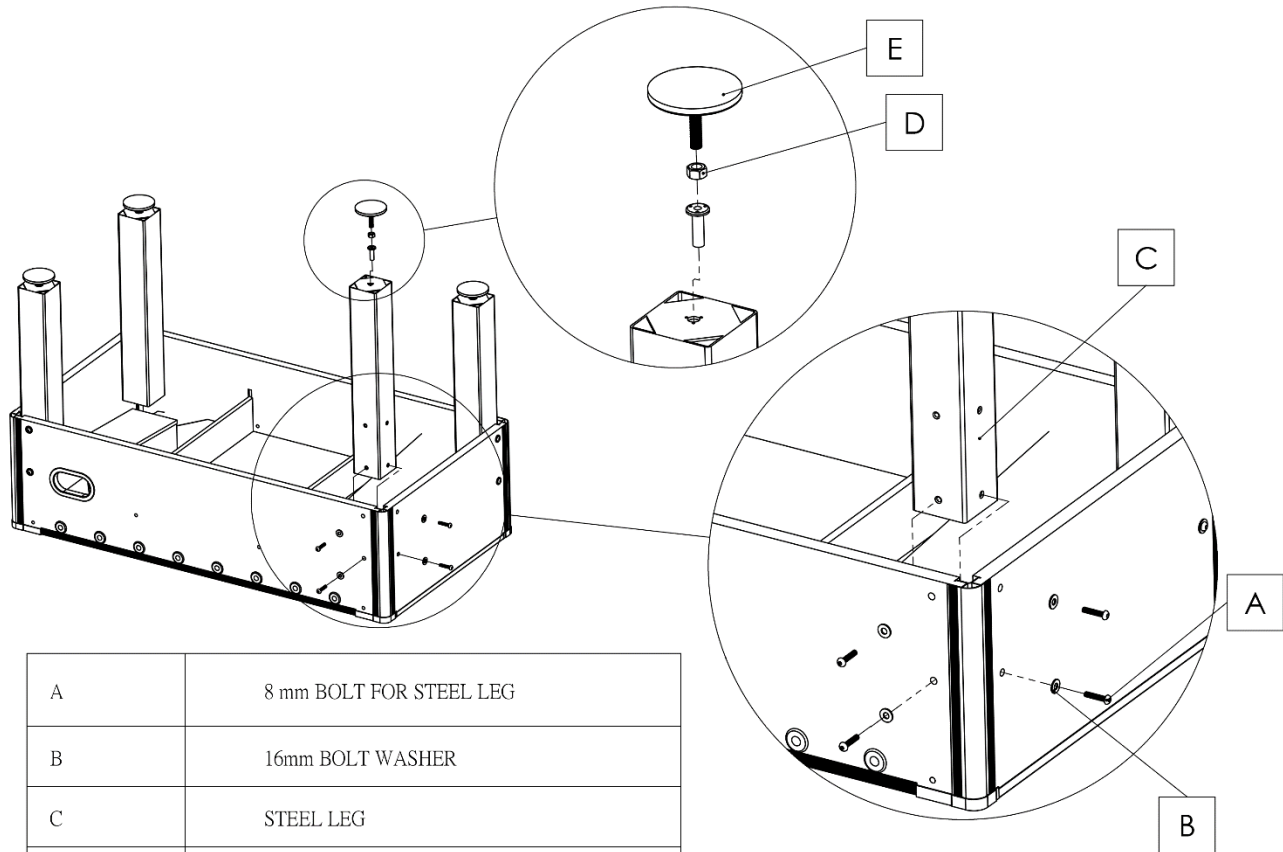
*Note: Please retain the original packaging, so that it may be used for storage or transport later.

Assembly – Step 1 Attach the Legs

- Carefully open the packaging carton and remove all accessories from the underside of the table.

***Please note:** Your model table may vary slightly in appearance.

- Attach the feet to the legs and the legs to the table as seen below:



A	8 mm BOLT FOR STEEL LEG
B	16mm BOLT WASHER
C	STEEL LEG
D&E	LEG LEVELER AND SCREW CAP

- After ensuring all of the legs are tightly secured, both adults should carefully lift and rotate the table to a standing position.

- If your table arrived partially assembled, you're ready to skip to Care & Maintenance.

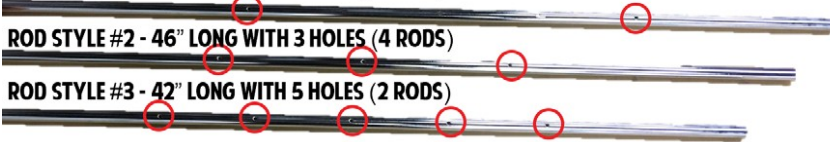
If you need to assemble the foosball players and rods, continue following these assembly instructions.

Assembly – Step 2 Assembling the Rods & Players

Use this page as a guide for assembling the rods and foosball players.
Do not begin assembly until you have read ALL ASSEMBLY INSTRUCTIONS!

1. Begin to assemble the rods and the players. Sort the foosball player rods by length:

ROD STYLE #1 - 51" LONG WITH 2 HOLES (2 RODS)



ROD STYLE #2 - 46" LONG WITH 3 HOLES (4 RODS)

ROD STYLE #3 - 42" LONG WITH 5 HOLES (2 RODS)

1

ROD STYLE #1 - 51" LONG WITH 2 HOLES (2 RODS)



Place handle on side with longest distance to first hole.
Once the players & spacers have been installed on the rod, cap the other end.

2

ROD STYLE #2 - 46" LONG WITH 3 HOLES (4 RODS)



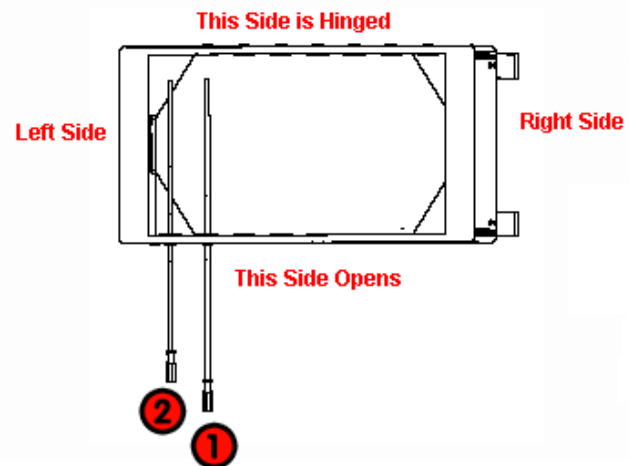
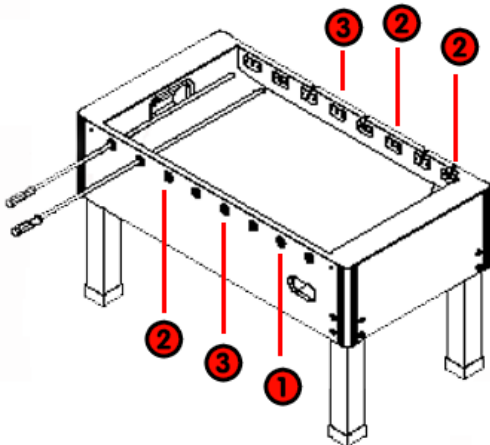
Place handle on side with longest distance to first hole.
Once the players & spacers have been installed on the rod, cap the other end.

3

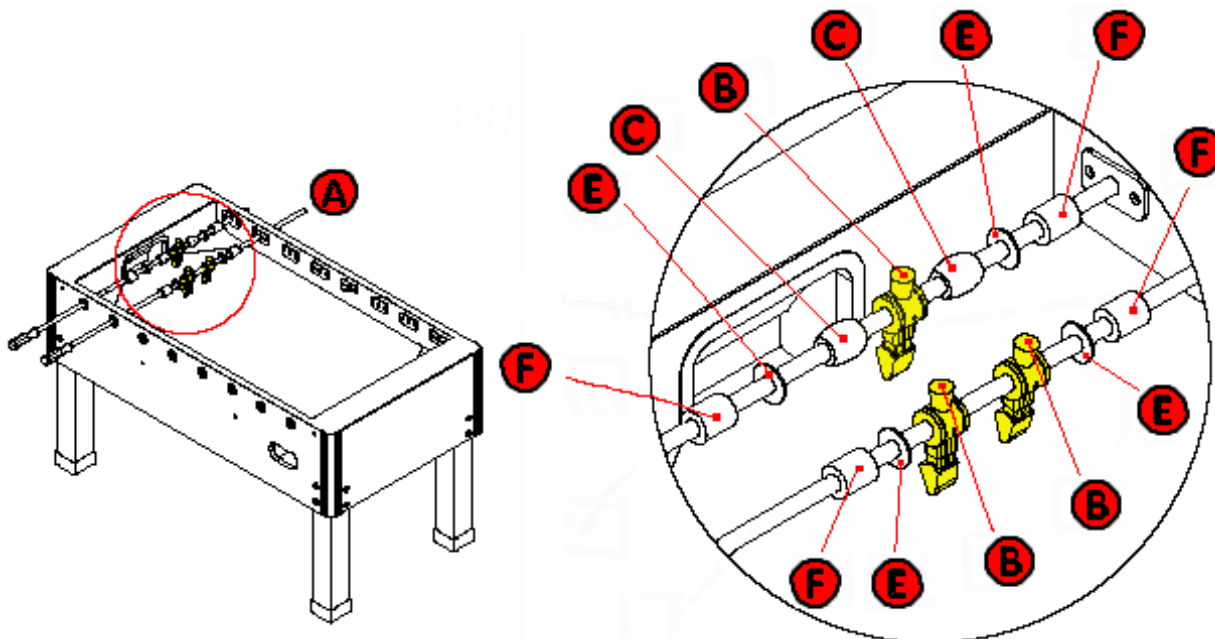
ROD STYLE #3 - 42" LONG WITH 5 HOLES (2 RODS)



Place handle on side with longest distance to first hole.
Once the players & spacers have been installed on the rod, cap the other end.



Assembly – Step ② (Assemble the Rods & Players)



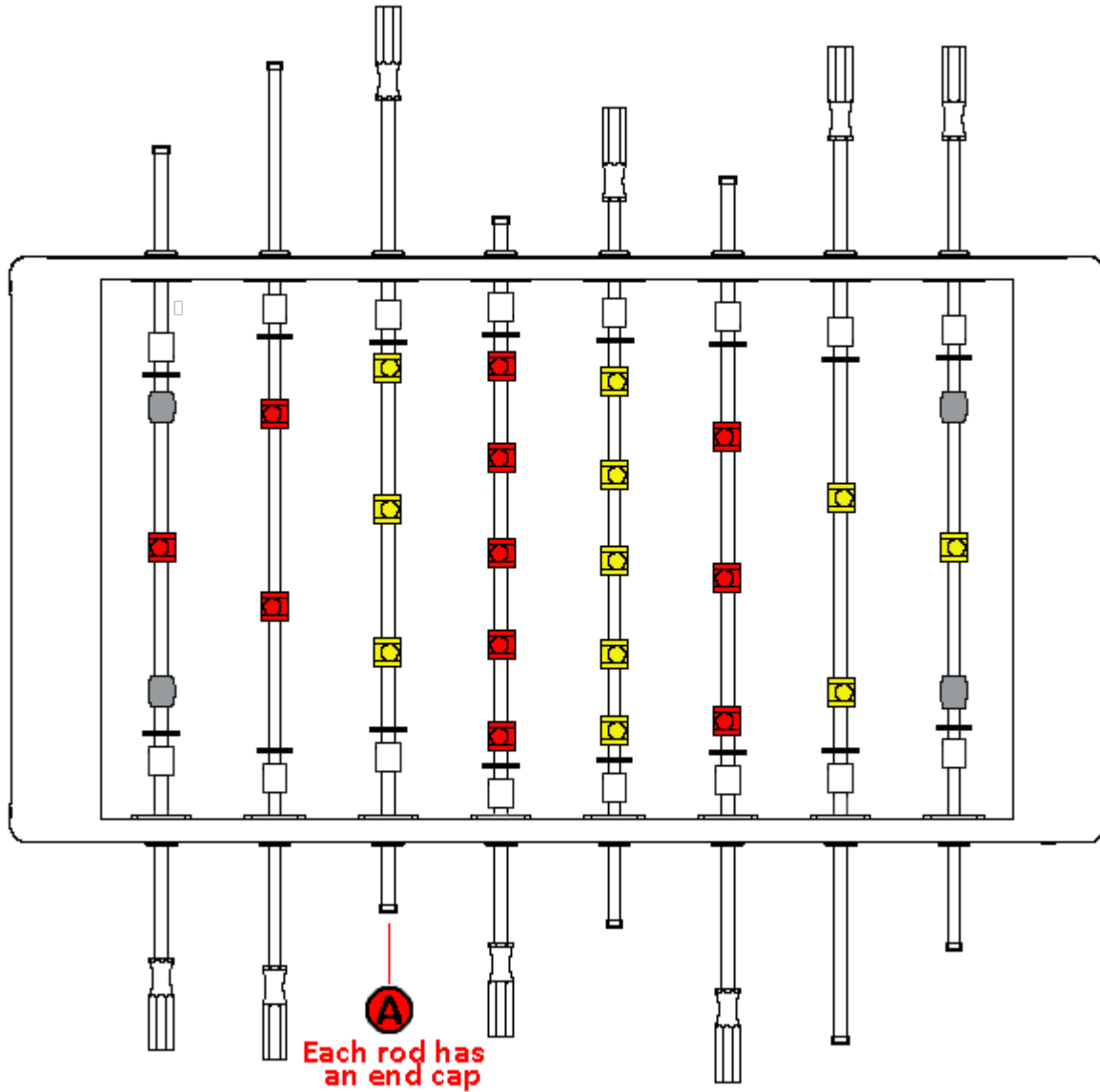
Part	Part Name	Part	Part Name
A	Rod End Cap	E	Plastic Rod Spacer
B	Foosball Player	F	Rubber Rod Stopper
C	Metal Place Holder		

IMPORTANT NOTE We recommend assembling all the pieces on the playfield first (before tightly securing the players to the rods) to make sure all the players are in the right position. Continue to STEP ③ to tightly secure the players once you're positive everything is placed according to the aerial view.

1. Begin assembling the rods from the left side of the table. Starting with the 1-player rod (goalie rod/rod style #2/3-holed rod), slide the rod into the table.
2. Next slide on a rubber stopper (F), a plastic rod spacer (E), a metal place holder if goalie rod (C)* and the foosball player/s (B).
3. The players will line up with small holes in the rod. Make sure the player is facing in the proper direction.
4. Once all the pieces have been placed on the rod, secure them tightly in Assembly Step ③.

*Note: The gray metal place holders are only used for the two goalie bars.

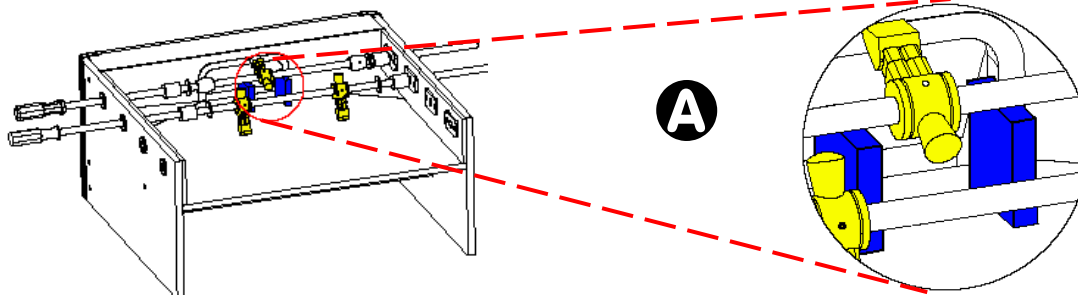
This is a view from the top of what the rods, spacers, and foosball players should look like once assembled.



Assembly – Step ③ (Secure the Players to the Rods)

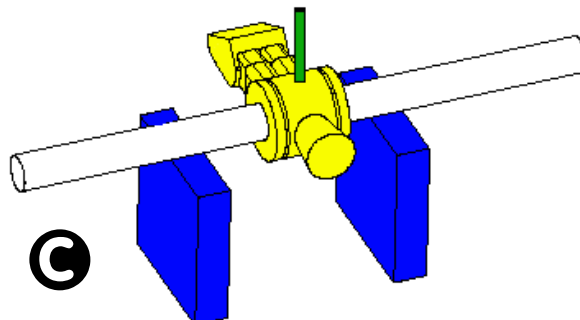
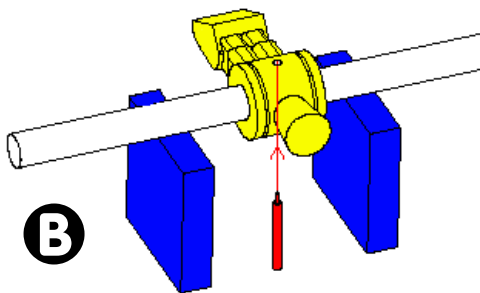
Once all of the players and rods have been assembled, secure each player to the rod using a **rubber mallet**, **two blocks of wood**, **one roll pin for each player**, and the **roll pin aid** provided.

- A** To keep the rod from spinning, stabilize the bar using the 2 wooden blocks provided, shown here in blue. Turn the player facedown and adjust the player so that the hole on the player matches the rod hole.



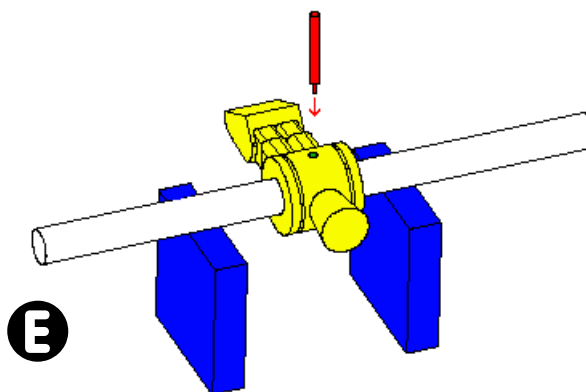
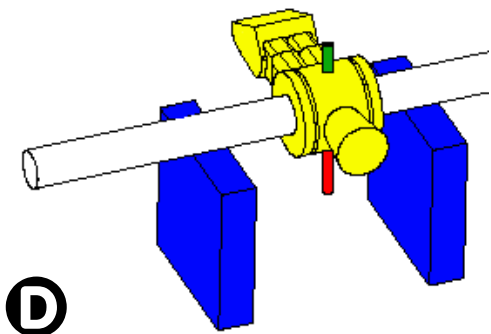
- B** Adjust the player so that the hole in the pole lines up with the hole in the player. Insert the roll pin aid (stabilizer) into the hole from below. This will stabilize the player while you insert the roll pin from the top.

- C** Insert the roll pin into the top of the player and gently knock the roll pin through the player and rod with a small rubber mallet.



- D** Gently hammer the roll pin through the top of the player through the rod with a small rubber mallet. Remove the roll pin stabilizer from the bottom when it has been pushed more than half out.

- E** Once you have removed the roll pin stabilizer, use it to tap the roll pin (from the top) until the roll pin is completely flush with the player.



After Installation

1. Regular maintenance should be performed on the machine to ensure that it is clean, smooth, and debris-free (see section “Care and Maintenance”).
2. Do not use any sharp instruments on any part of the machine as it may cause irreparable damage.
3. Remove and replace any piece or part that becomes damaged.
4. Use the leg adjusters to level the table if necessary.
5. Do not use outdoors or in damp areas.

Care and Maintenance

1. Use a soft cloth, and product-specific polishing spray to clean the cabinet.
2. Dust, grime, and other debris can collect inside the body of your table over time. Vacuum out the inside cavities frequently.
3. Household cleaner may be used to wipe down the poles, handles, and legs.
4. Dust the scorer when needed (depending on the model).

Troubleshooting

Having trouble assembling your new table?

Call our experts in the Parts and Service Department (1+716-866-0054) or email Service@BarronGames.com and we will be happy to assist you! We also have some great troubleshooting videos for World Tour on our YouTube channel.

Parts List: Kenti Pro Foosball

SKU# BG-FSBPRO

Part#	Description	Qty
A010	Bearing	16
C001-1	Player (Yellow)	11
C001-2	Player (Black)	11
C002	Roll pin (26+4 extra)	26
C003	Roll pin aid	1
C004	Iron ball / Stop ring	4
C005	Rubber bumper	16
C006	Plastic washer	16
C007	Plastic handle	8
C008	Rod end cap	8
C009	1 player rod / 3 player rod	4
C010	2 player rod	2
C011	5 player rod	2
C013	Ball	4
E001	Main cabinet	1
E002	Metal leg	4
E003	Plastic leg leveler	4
E004	Carriage bolts for legs	1 pack
E005-1	Corner metal part	2
E005-2	Corner metal part	2
E006	Metal end cap for table	2
E007	Long table part (Rail cover)	2
E008	Screws for tabletop	1 pack
E009-1	Slide scorer (White)	1
E009-2	Slide scorer (Black)	1
E010	Screws for slide scorers	1 pack
F001	Hex key for legs	1
F002	Manual	1



**Barron Games International
84 Aero Drive, Suite 5
Buffalo, NY 14225**

Phone: +1-716-866-0054

Fax: +1-716-630-0055

www.BarronGames.com

For Parts and Service Information, please contact us:

Phone: +1-716-866-0054

Email: Service@BarronGames.com